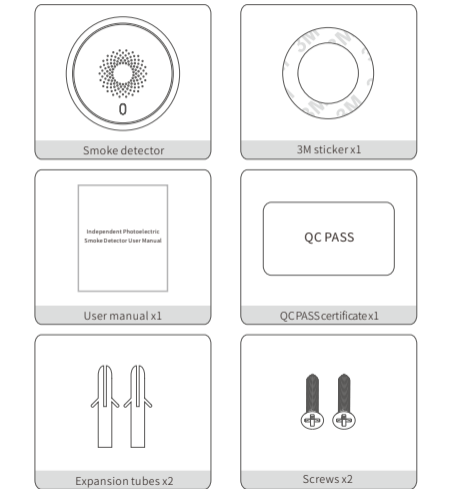


# Independent Photoelectric Smoke Detector User Manual

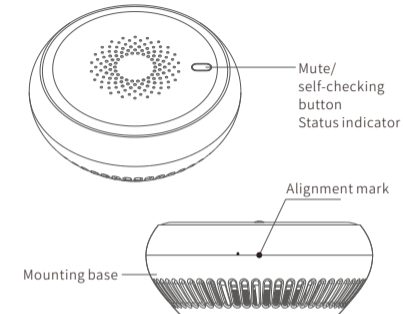


## Packing List

After you unpack the product package, check whether the product is intact and that all accessories are included and complete. The following figures show the items that should be contained in the product package.



## Product Description

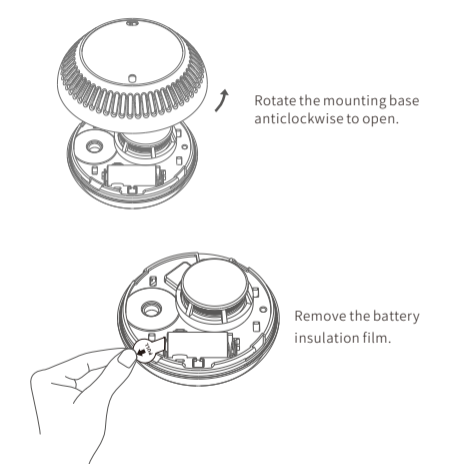


### Indicator and Buzzer States

Red indicator flashes.	The buzzer beeps.	Alarm is triggered.
Red indicator flashes once every 50 seconds.	The buzzer does not beep.	The product works properly.
Yellow indicator flashes once every 40 seconds.	The buzzer beeps shortly.	Battery power is low.
Red indicator flashes.	The buzzer beeps 4 times.	The product is in self-checking and alarm simulating state.
Green indicator flashes quickly.	The buzzer does not beep.	The product is in network setting mode.

## Network Setting

1. Power on the product.



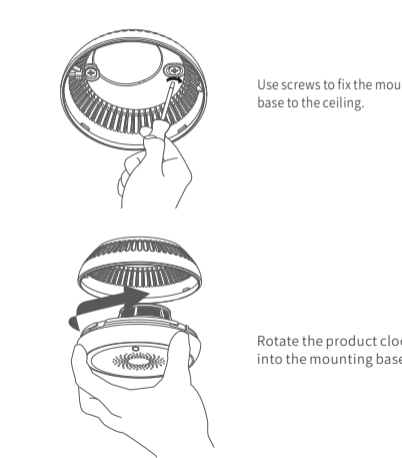
### Distribution network hint:

- Press the reset button for 5s-10s, the red LED is on, it will turn off after 5s. Then green LED is on. Release the reset button, the green LED flashes for network setting.
- The green LED will be on for 5s then turns off to indicate network setting succeeds, the product is in networking detecting status. If network setting fails in 60s, the yellow LED is on for 5s then turns off, the product is in standalone working status.

## Installation Instructions

1. Installation methods

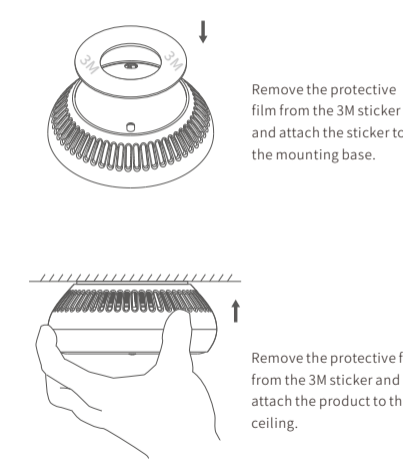
(1) Using screws



Use screws to fix the mounting base to the ceiling.

Rotate the product clockwise into the mounting base.

(2) Using 3M sticker

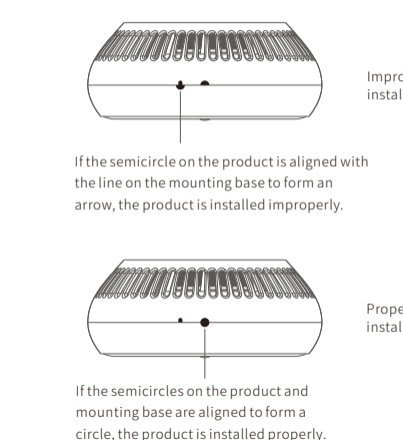


Remove the protective film from the 3M sticker and attach the sticker to the mounting base.

Remove the protective film from the 3M sticker and attach the product to the ceiling.

(3) Installation checking

Check if the product is installed properly.



If the semicircle on the product is aligned with the line on the mounting base to form an arrow, the product is installed improperly.

If the semicircles on the product and mounting base are aligned to form a circle, the product is installed properly.

2. Precautions

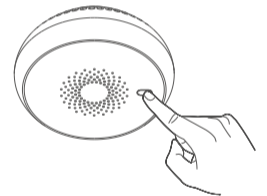
- (1) Mount the product only on indoor ceilings.
- (2) Install the product at least 50 cm away from lighting products.
- (3) Do not install the product in bathrooms or other moist environments.
- (4) Do not install the product in places with non-fire smoke or steam.
- (5) Ensure that the temperature of the installation environment is within the range of  $-10^{\circ}\text{C}$  to  $+55^{\circ}\text{C}$ .
- (6) If a cupboard is near the ceiling, install the product at least 60 cm away from the cupboard.
- (7) Install the product at least 150 cm away from ventilators, air conditioners, and air vents.
- (8) You are advised to use screws to install the product. If you use a 3M sticker to install it, any product damage or safety accidents incurred therefrom will be your responsibility.
- (9) If you choose to use a 3M sticker, affix the product to a smooth, even, dry, and clean surface.
- (10) Regularly check whether the product is attached to the surface securely to prevent it from falling down.
- (11) The product cannot be mounted to the mounting base unless the battery is installed.
- (12) If you affix the product to a painted surface, peeling of the paint may cause the product to fall down. If this occurs, you are liable for any problems incurred therefrom.

## Fire Alarm Function

1. When the product detects smoke, it immediately sends audible and visual alarm signals.
2. In case of fire, take proper measures immediately. For example, call the fire emergency number, or use a fire extinguisher to put out the fire.
3. If there is no fire, press the mute/self-diagnostic button to mute the product.  
★ The product will be mute for 90s. During this period, the product will not generate any audible or visual alarm. After 90s, the product will be restored to the detection state.
4. The product will generate a fire alarm when the following items contact it directly:
  - (1) Mist sprayed from pesticides or cosmetics
  - (2) Smoke generated by cigarettes and incense sticks
  - (3) Smoke-type or thermal evaporation-type pesticides
  - (4) Cooking smoke or steam
  - (5) Condensation

## Alarm and Test

1. Detection state: The status indicator blinks red at 50s intervals.
2. Self-checking state: When you press the mute/self-checking button, the status indicator will turn red. If you press and hold the mute/self- diagnostic button for less than 5s, the product will enter the self-checking state, the status indicator will flash red, and the buzzer will beep (same as in alarm state).




- (1) When the smoke density reaches the preset alarm threshold, the product generates an alarm.
- (2) During self-checking test, keep away from the buzzer to avoid loud alarm sound from damaging your hearing.

- (4) If the product generate an alarm when it is monitoring, potential risks may exist. Do not ignore the alarm and try to locate the cause.

### IMPORTANT

Ignoring the alarm could result in property damage, personal injury, or even death. If the product fails a test, see "Troubleshooting" to rectify the fault. If the fault persists, replace the product immediately.


### Mute Function

 If the product generates an alarm, potential risks may exist. Before you mute the product, ensure that there is no fire. Do not block the product or disable it in any way. If you do so, the product can no longer provide you with protection.

If the product generates an alarm because it detects smoke in the kitchen but not a fire (for example, bacon frying), press the mute/self-diagnostic button on the panel to mute the product.

When the product is muted, the status indicator will rapidly blink red. The product sensitivity will be restored automatically within 90s.

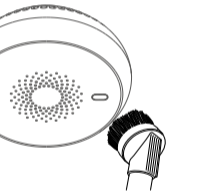
Note: If the smoke density surrounding the product is still high, the product will generate an alarm again. Open the door and window to let out the smoke.


 If you do not know the cause for the alarm, try to locate the source of the smoke, as ignoring the alarm could result in property damage, personal injury, or even death.

## Routine Maintenance

The product has a maintenance-free design. You only need to perform the following routine operations to ensure that the product works properly.

1. Suggest to test the product at least once every week. For details on how to test the product, see "Alarm and Test".
2. Keep the product clean and remove dust from it with a vacuum cleaner and soft brush at least once every year.



 Use a cotton cloth or sponge to clean the product. Do not use solvents or detergents, which may enter the product and cause damage to the sensor or circuit.

Note: Do not paint your product. The paint may block smoke intake vents of the product, causing the product to malfunction.

## Troubleshooting

If the product malfunctions, its battery may have reached its valid lifespan or the product may be affected by dust, smoke residue, or other dirt. If this is the case, refer to "Routine Maintenance" for instructions on cleaning the product. If the fault persists, perform the following operations:

1. If the product does not respond, check whether the product is correctly mounted to the mounting base.
2. If the product intermittently beeps (at about 40s intervals), the battery level is low. Replace the battery within one week.
3. If you often encounter non-fire alarm, please try to relocate your smoke alarm.
4. If the product generates alarms frequently when there is no fire or smoke, clean the product or reinstall the product in another position.

### IMPORTANT

If the fault persists after you perform the preceding operations, contact the local vendor. Do not disassemble the product yourself, or the warranty service for the product will become invalid.

## Technical Parameters

Wireless Technology	ZigBee
Transmission Frequency	2.4 GHz
Working Voltage	DC 3 V (CR123A battery)
Undervoltage Alarm	Supported
Working Temperature	-10°C to +55°C
Detector Type	Independent smoke detector
Alarm Sound Pressure	≥ 80 dB (3 m in front of the smoke detector)
Installation Position	Ceiling
Battery Lifespan	More than one year (20 times per day)
Dimensions	Φ90 mm x 37 mm

## Toxic or Hazardous Substances or Elements of this Product

Component Name	Toxic or Hazardous Substances or Elements					
	Lead (Pb)	Mercury (Hg)	Cadmium (Cd)	Hexavalent chromium (Cr(VI))	Polybrominated biphenyls (PBBS)	Polybrominated diphenyl ethers (PBDEs)
LED	0	0	0	0	0	0
PCB	0	0	0	0	0	0
Cover and other components	0	0	0	0	0	0

This table complies with SJ/T 11364.

O: indicates that the toxic or hazardous substance amount contained in all homogeneous materials of a component does not exceed that stipulated in GB/T 26572.

X: indicates that the toxic or hazardous substance amount contained in at least one of the homogeneous materials of a component exceeds that stipulated in GB/T 26572.



## Warranty Certificate

Warranty policy:

1. If the product has quality problems within 7 days of the payment date, you can apply for a refund based on the invoice price or to replace with the same model or have it repaired.
2. If the product has quality problems within 15 days of the payment date, you can apply to replace the product with the same model or have it repaired.
3. If the product has quality problems within 12 months of the payment date, you can apply to have it repaired.

What is not covered under this warranty:

1. The product owner has no warranty certificate or the warranty service has expired.
2. Damage caused by improper use, maintenance, or storage
3. Damage caused by disassembly and repair without Tuya's authorization
4. Damage caused by force majeure
5. Normal discoloration and depreciation after the product has been used

## User Form

User information (Specify real information. Tuya promises to use the information only for after-sales services.)

Name \_\_\_\_\_

Phone number \_\_\_\_\_

Email \_\_\_\_\_

Zip code \_\_\_\_\_

Address \_\_\_\_\_

Product information

Name \_\_\_\_\_ Model \_\_\_\_\_

Color \_\_\_\_\_ Product SN \_\_\_\_\_

Service  Return  Replace  Repair

Fault symptoms \_\_\_\_\_

Handling date \_\_\_\_\_

Maintenance personnel signature \_\_\_\_\_

## Vendor Form

User information (Specify real information. Tuya promises to use the information only for after-sales services.)

Name \_\_\_\_\_

Phone number \_\_\_\_\_

Email \_\_\_\_\_

Zip code \_\_\_\_\_

Address \_\_\_\_\_

Product information

Name \_\_\_\_\_ Model \_\_\_\_\_

Color \_\_\_\_\_ Product SN \_\_\_\_\_

Service  Return  Replace  Repair

Fault symptoms \_\_\_\_\_

Handling date \_\_\_\_\_

Maintenance personnel signature \_\_\_\_\_

# Independent Photoelectric Smoke Detector User Manual

Read this manual before use.